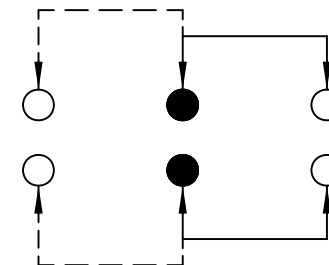
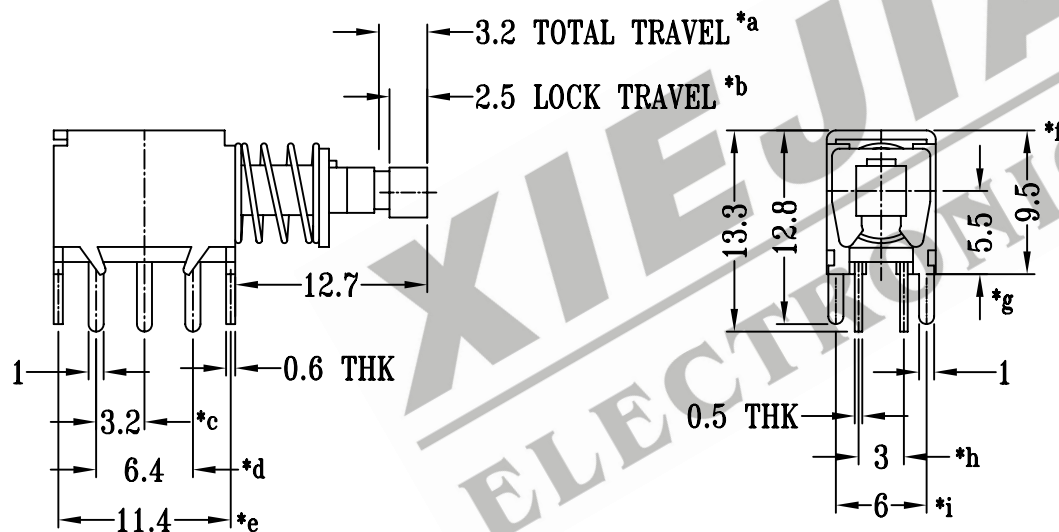
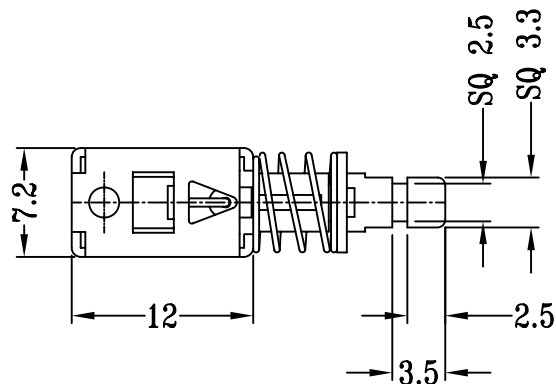
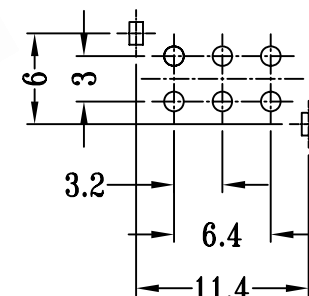


CAD FILE:



**SCHMATIC (NON-SHORTING)**



**P.C.B LAYOUT**

注:带“\*”表示关键尺寸(9个)

9	CONTACT CLIP	PBS STRIP	2	Ag CLAD	TOLERANCE UNLESS SPECIFIED	SHENZHEN XIEJIA ELECTRONICS CO.,LTD.				
8	TERMINAL	BRASS STRIP	6	Ag PLATED OVER Ni PLATED						
7	BASE	PHENOLIC RESIN	1	NATURAL	WITHIN: 1.5±0.1mm OVER : 1.5±0.2mm	ISSUE	DATE	DESCRIPTIONS OF REVISION		APPD.
6	FRAME	STEEL STRIP	1	Ni PLATED						
5	SPRING PLATE	PBS STRIP	1	NATURAL	TITLE : PUSH SWITCH		UNIT : mm	DRWG NO.: XJ-DR-PS22F43-00		
4	CAM STICK	PBS WIRE	1	NATURAL	MODEL: PS-22F43 (LOCKED)		SCALE: 2 : 1	DWN.	ZHOUYU	2003-12-19
3	SPRING	STEEL WIRE	1	Ni PLATED	ALL MATERIALS MUST BE COMPLIANT TO ROHS			CHK'D	FANGYING	2003-12-19
2	BLOCK	STEEL STRIP	1	Ni PLATED				APPD.	KANGXINAN	2003-12-19
1	KNOB	POM	1	BLACK						
NO.	PARTS	MATERIALS	Q'TY	FINISH						